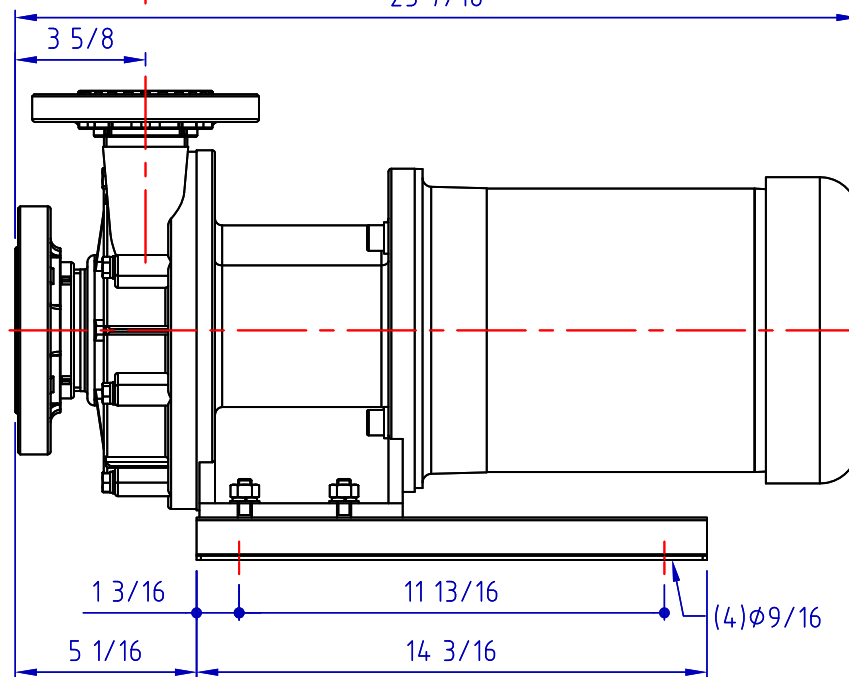
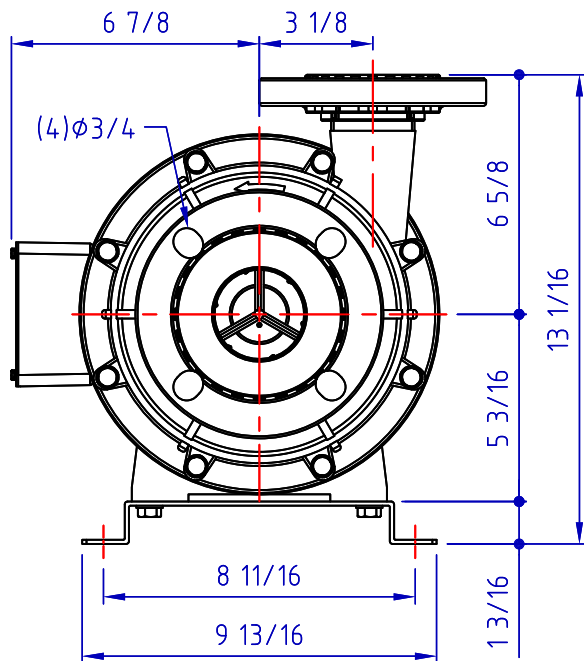


MOTOR	
Standard Code:	NEMA C FACE
Frame:	184TC Pole: 2
Output:	5 Hp
Frequency:	60 Hz

FLANGE RATING	
Inlet	ANSI 150lbx2.5"xRF (bore size 2.5")
	DIN NP10x65mmxRF (bore size 65mm)
	JIS 10Kx65mmxRF (bore size 65mm)
Outlet	ANSI 150lbx2"xRF (bore size 2")
	DIN NP10x50mmxRF (bore size 50mm)
	JIS 10Kx50mmxRF (bore size 50mm)



Note: 1.The total length & weight of the pump will differ depending on the brand of the motor.
2.All dimension in inch.



MODEL

TM10N

TITLE

OUTLINE DRAWING