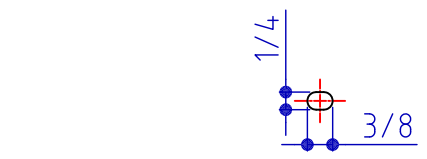
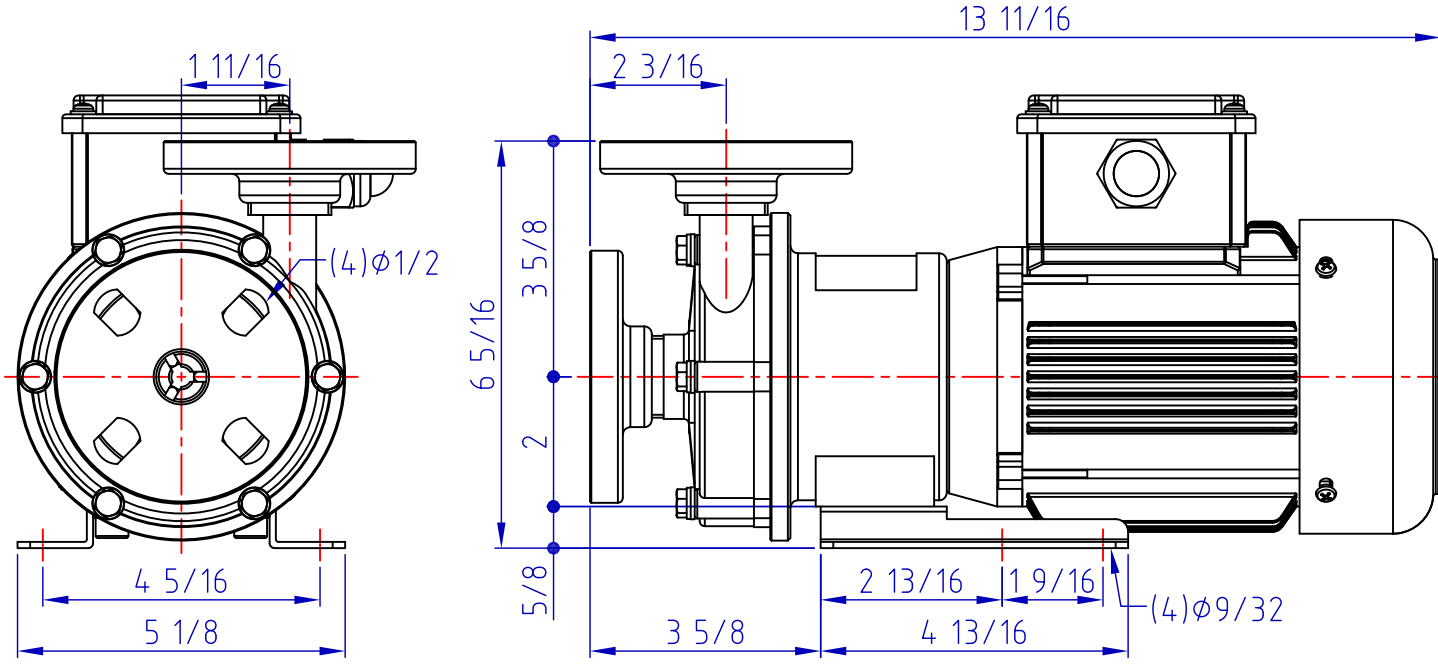


MOTOR	
Standard Code:	IEC
Frame:	63A Pole: 2
Output:	1/4 HP
Frequency:	60 Hz

FLANGE RATING	
Inlet & Outlet	ANSI 150lbx3/4"xFF (bore size 3/4")
	DIN NP10x20mmxFF (bore size 20mm)
	JIS 10Kx20mmxFF (bore size 20mm)



Model	Item	Pump (kg)	Motor (kg)	Net Wt. (kg)
AM-30F		2.4	4.0	6.4
AM-F30F		2.6	4.0	6.6

Note: 1.The total length & weight of the pump will differ depending on the brand of the motor.
2.All dimension in inch.



MODEL	TM2F
TITLE	OUTLINE DRAWING