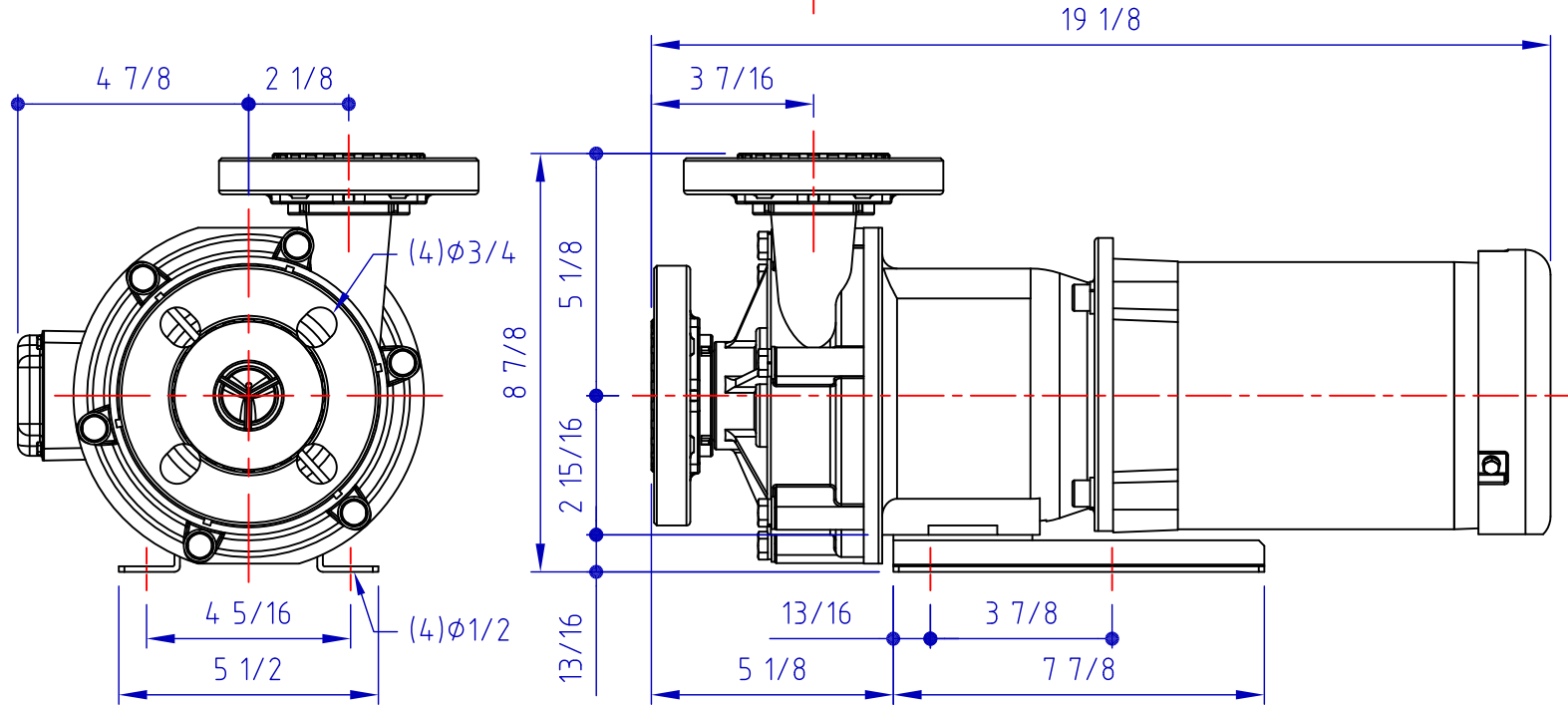


MOTOR	
Standard Code:	NEAM C FACE
Frame:	56C Pole: 2
Output:	1/2 Hp
Frequency:	60 Hz

FLANGE RATING	
Inlet & Outlet	ANSI 150lbx1.5"xRF ( bore size 1.5" )
	DIN NP10x40mmxRF ( bore size 36mm )
	JIS 10Kx40mmxRF ( bore size 36mm )



Note: 1.The total length & weight of the pump will differ depending on the brand of the motor.  
2.All dimension in inch.



MODEL	TM4H
TITLE	OUTLINE DRAWING