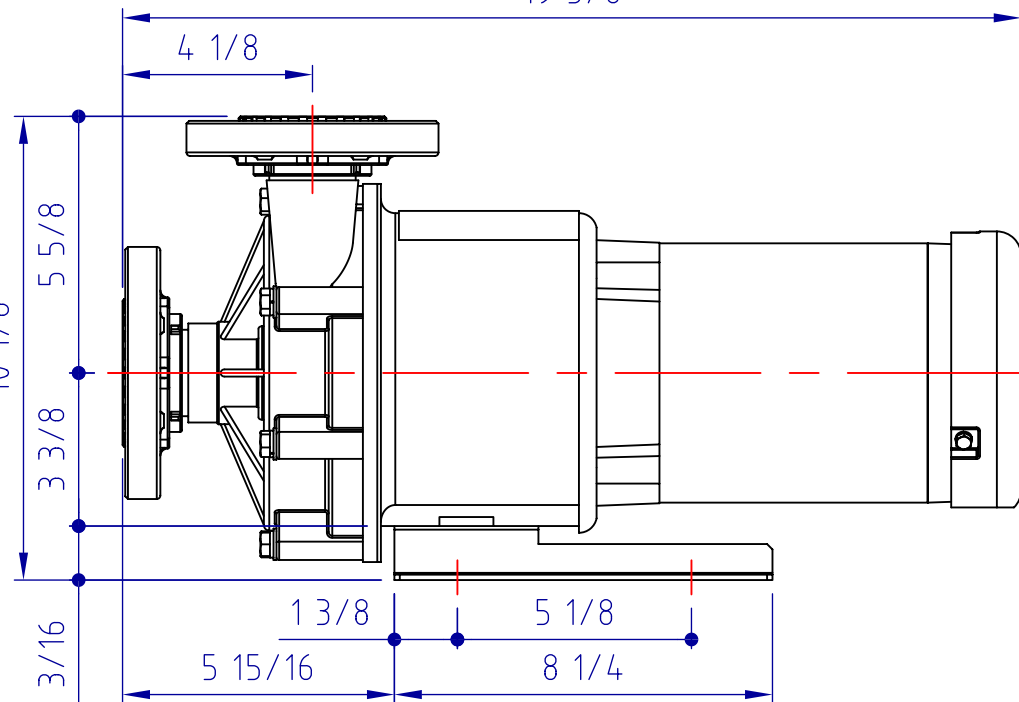
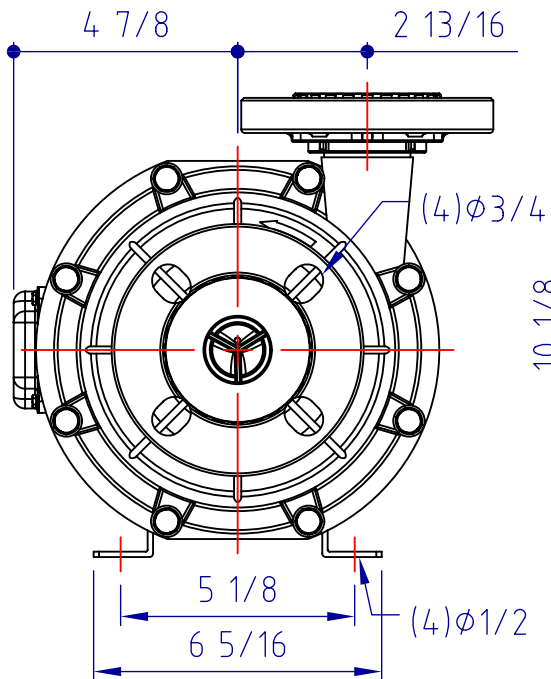


MOTOR	
Standard Code:	NEMA C FACE
Frame:	56C Pole: 2
Output:	1 Hp
Frequency:	60 Hz

FLANGE RATING	
Inlet & Outlet	ANSI 150lbx1.5"xRF (bore size 1.5")
	DIN NP10x40mmxRF (bore size 40mm)
	JIS 10Kx40mmxRF (bore size 40mm)



Note: 1.The total length & weight of the pump will differ depending on the brand of the motor.
2.All dimension in inch.



MODEL	TM4K
TITLE	OUTLINE DRAWING