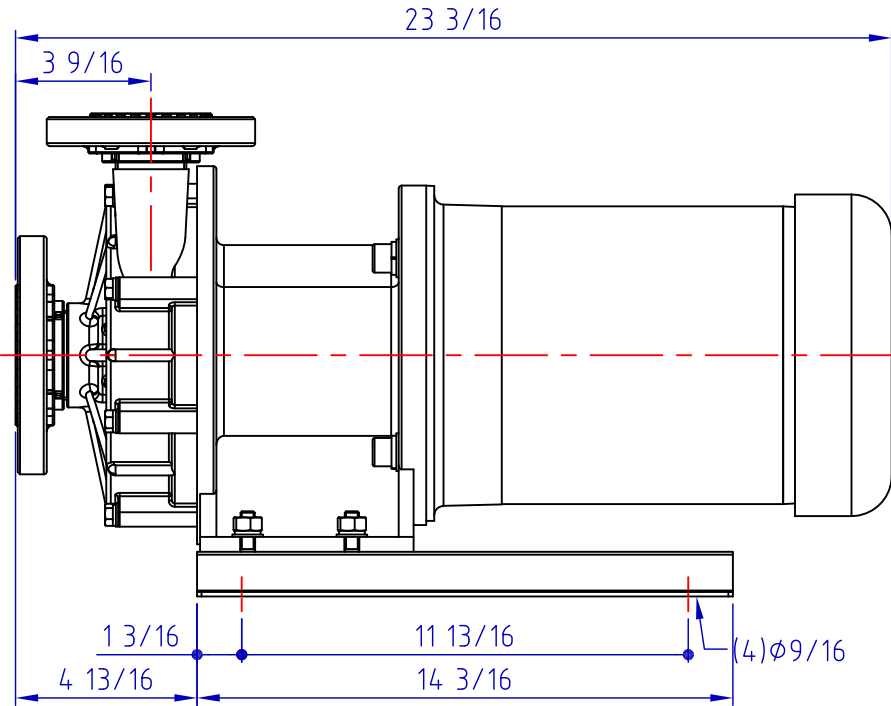
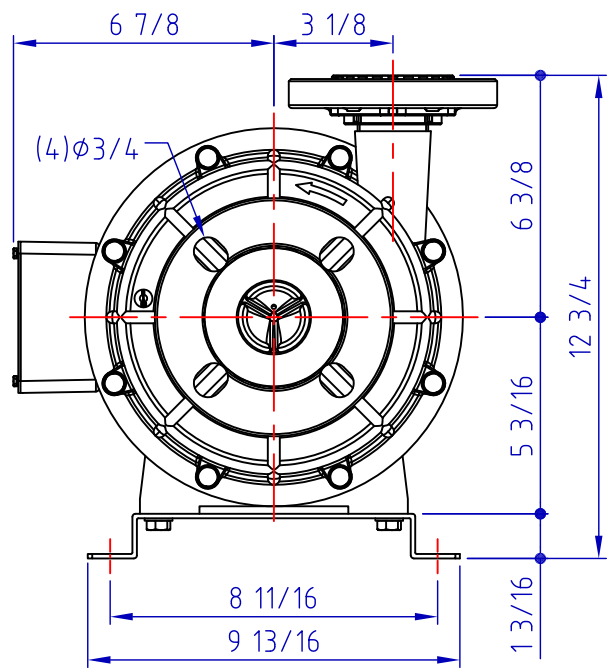


MOTOR	
Standard Code:	NEMA C FACE
Frame:	184TC Pole: 2
Output:	5 Hp
Frequency:	60 Hz

FLANGE RATING	
Inlet	ANSI 150lbx2"xRF (bore size 2")
	DIN NP10x50mmxRF (bore size 50mm)
	JIS 10Kx50mmxRF (bore size 50mm)
Outlet	ANSI 150lbx1.5"xRF (bore size 1.5")
	DIN NP10x40mmxRF (bore size 40mm)
	JIS 10Kx40mmxRF (bore size 40mm)



Note: 1.The total length & weight of the pump will differ depending on the brand of the motor.
2.All dimension in inch.



MODEL	TM6N
TITLE	OUTLINE DRAWING